

The **BA386** is an intrinsically safe field mounting beacon which produces a bright flashing warning signal in a hazardous area. This beacon is significantly less expensive than the traditional Xenon devices, although it has a similar light output, flashes more frequently and is available in five different colours.

The **beacon** may be used alone, or in conjunction with a BEKA intrinsically safe sounder. The high efficiency of the BA386 enables the beacon and the sounder to be powered from a common Zener barrier or galvanic isolator. In combined systems this eliminates one barrier or isolator and associated wiring, thus simplifying the installation and further reducing cost.

Alarm accept is another unique feature of the BA386 which in combined systems enables the sounder to be silenced for a pre-set time leaving the beacon flashing twice per second. The alarm is accepted by momentarily closing a pair of external contacts, such as a push-button which may be located in the hazardous or the safe area. The sounder silence time may be pre-set for between 1 and 30 minutes.

Main application of the BA386 beacon is to provide a visible warning in a noisy hazardous process area where a sounder is not easily identified. The beacon may be powered from a wide variety of Zener barriers or galvanic isolators and may be controlled by any contact or dc supply in the safe area. It may also be switched in the hazardous area by an intrinsically safe relay or any equipment with an intrinsically safe output such as the alarm output of a BEKA indicator or totaliser.

When the **BA386 beacon** is used in conjunction with a BEKA intrinsically safe sounder it forms a combined audio visual alarm with integral sounder silence facilities. It is ideal where an operator needs to be advised that an alarm condition has occurred, but wishes to silence the intrusive audible warning.

If the alarm condition is not corrected during the silence period, the sounder will be re-activated when the pre-set silence time has expired.

International certification permits installation in Zones 0, 1 or 2. For applications in the USA, the BA386 also has FM intrinsic safety and nonincendive approval.

The **flame retardant enclosure** provides IP66 protection and is suitable for external mounting in sheltered locations. Cable entry is via 20mm untapped holes in the two opposite sides of the enclosure and there is a 'knock-out' in the rear for an additional entry.

When used with a BEKA BR385 sounder, the beacon may be mounted onto the base of the sounder to form a combined assembly, or may be mounted separately.

A **complementary intrinsically safe steady state beacon** with five different colour output options is also available. These BA386S beacons provide a continuous status indication when a flashing warning is not required.



BA386

LED flashing beacon

Intrinsically safe for use in all hazardous gas areas

- ◆ Intrinsically safe
- ◆ Red, amber, green blue & white models.
- ◆ Two double flashes per second.
- ◆ Will power BEKA intrinsically safe sounder.
- ◆ IP66 enclosure
- ◆ Incorporates alarm accept function to silence sounder.
- ◆ 3 year guarantee

www.beka.co.uk/ba386



CCOE
PESO

BEKA

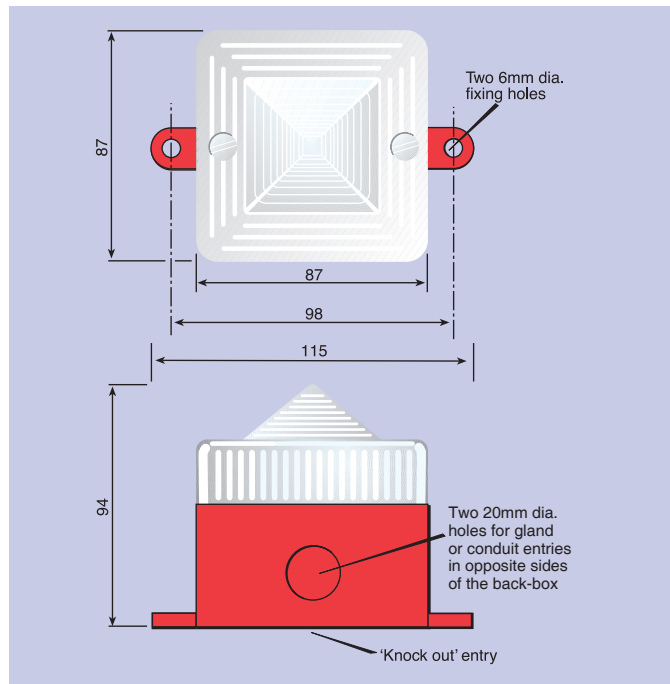
associates

BEKA associates Ltd. Old Charlton Rd.
Hitchin, Hertfordshire, SG5 2DA, U.K.
Tel. (01462) 438301 Fax (01462) 453971
e-mail sales@beka.co.uk www.beka.co.uk

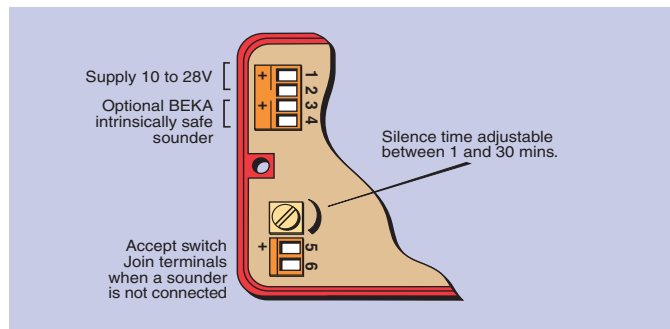
SPECIFICATION

Power supply													
Voltage	10 to 28V (across terminals 1 & 2) Not damaged by temporary connection to the supply without a Zener barrier or galvanic isolator in circuit.												
Current	When powered from 24V supply via 28V 93mA Zener barrier.												
Alone	25mA typical												
With BR385 sounder	40mA typical												
Output													
Brightness	Equivalent to 0.5 Joule xenon beacon												
Frequency													
Alone	2Hz (2 double flashes per second)												
With BR385 sounder on silenced (alarm accepted)	1Hz (1 double flash per second) 2Hz (2 double flashes per second)												
Sounder output	Reduced by typically 2dB when used with beacon.												
Response													
On time	First flash within 2 seconds of supply being connected.												
Off time	Last flash less than 5 seconds after supply is removed.												
Repeat alarm	To guarantee alarm accept status, supply should not be reconnected within 5 seconds of disconnection.												
Intrinsic safety													
Europe ATEX & UK UKCA													
Code	Group II Category 1G Ex ia op is IIC T4 Ga -40°C ≤ Ta ≤ 60°C												
Cert. No.	ITS02ATEX2006X & ITS21UKEX0077X												
International IECEx													
Code	Ex ia op is IIC T4 Ga -40°C ≤ Ta ≤ 60°C												
Cert. No.	IECEx ITS 17.0052X												
Installation	May be powered from any certified Zener barrier or galvanic isolator whose output parameters do not exceed:												
	<table border="0"> <tr> <td></td> <td>Alone</td> <td>With BR385</td> </tr> <tr> <td>Uo</td> <td>28Vdc</td> <td>28Vdc</td> </tr> <tr> <td>Io</td> <td>110mA</td> <td>93mA</td> </tr> <tr> <td>Po</td> <td>0.8W</td> <td>0.66W</td> </tr> </table>		Alone	With BR385	Uo	28Vdc	28Vdc	Io	110mA	93mA	Po	0.8W	0.66W
	Alone	With BR385											
Uo	28Vdc	28Vdc											
Io	110mA	93mA											
Po	0.8W	0.66W											
Location	Zone 0, 1 or 2												
Accept input terminals 5 & 6.	May be connected to any mechanically activated switch having IP20 protection which is capable of withstanding an ac test voltage of 500Vrms to earth for one minute.												
USA FM													
Standard Code	<i>Does not include use with BR385 sounder</i> 3610 Entity CL.1, Div. 1, Gp. A, B, C and D CL 1, Zone 0, AEx ia IIC T4 T4 at 60°C												
File No	3014996												
Standard Code	3611 Nonincendive. CL.1, Div. 2, Gp. A, B, C and D CL 1, Zone 2, IIC T4 T4 at 60°C												
File No	3014996												
India CCOE/PESO	As ATEX - See certificate												
Environmental													
Operating temp	-20 to 60°C (certified for use at -40°C)												
Storage temp	-40 to 85°C												
Humidity	To 95% @ 40°C												
Enclosure	IP66												
EMC	Complies with EU & UK EMC Directives												
Mechanical													
Terminals	Removable with screw clamp for 0.5 to 1.5mm ² cable.												
Weight	0.4kg												
Accessories													
Tag strip	Thermally printed tag strip secured by screws.												
Combining kit	Gasket and conduit fitting for mounting BA386 beacon onto bottom of BR385 sounder.												

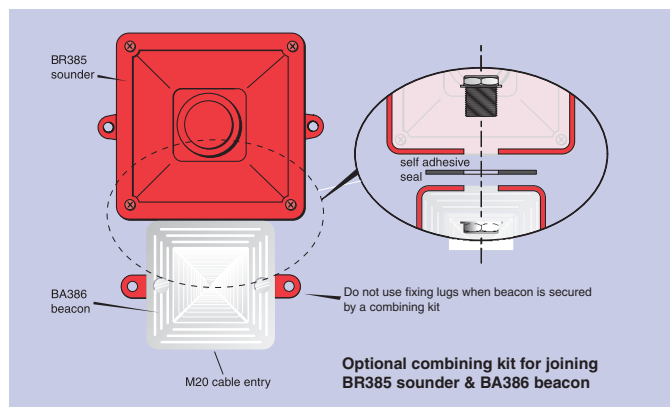
DIMENSIONS (mm)



TERMINAL CONNECTIONS



COMBINING KIT



HOW TO ORDER

Colour
Red
Amber
Green
Blue
White

Please specify
Model number
BA386R
BA386A
BA386G
BA386B
BA386W

Accessories
Tag strip
Combining kit for joining beacon & BR385 sounder. *

Please specify if required
Legend
Combining kit

* Supplied free of charge on request when sounder and beacon are purchased at the same time